

FLEXI-BIN[®]

INSTALLATION INSTRUCTIONS

IMPORTANT: To reduce the risk of serious injury, read and understand this entire guide before beginning any installation.



Contents

BEFORE YOU BEGIN:3

SAFETY WARNINGS:.....3

FLEXI-BIN INSTRUCTIONS4

WARRANTY6

BEFORE YOU BEGIN:

1. Check your inventory to be sure you received your entire order. If there are any missing or damaged parts, contact your **Dealer** or **Borroughs Corporation Customer Service Manager**.

NOTES: Each cabinet is packaged separately. Each unit features an identification sheet located on the face of the unit. The identification sheet will match the items detailed in contents above.

2. Read and understand the entire installation instructions prior to beginning the install.

SAFETY WARNINGS:



This symbol is used to address practices not related to personal injury.



A potentially hazardous condition exists that may result in death or serious injury, property damage, or destruction if instructions are not strictly observed.

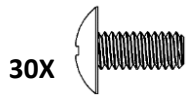


This symbol is used to address practices not related to physical injury.

Once installation is completed, a copy of the installation instruction booklet **MUST** remain with the customer.

Hardware:

07784-00
Screw #10-24 x 3/8



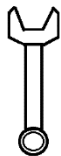
30X

07732-00
Nut #10-24



30X

Tools Required:



3/8"



FLEXI-BIN INSTRUCTIONS

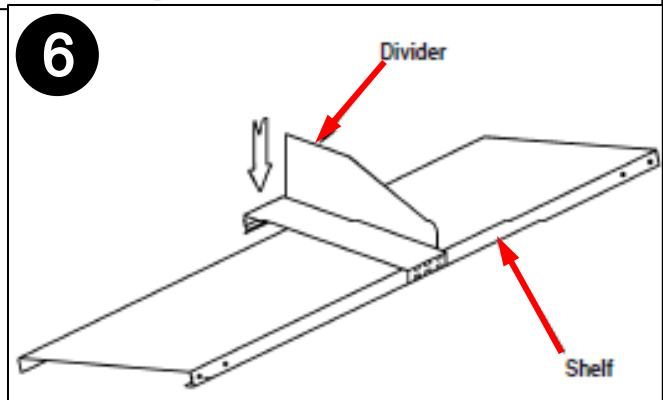
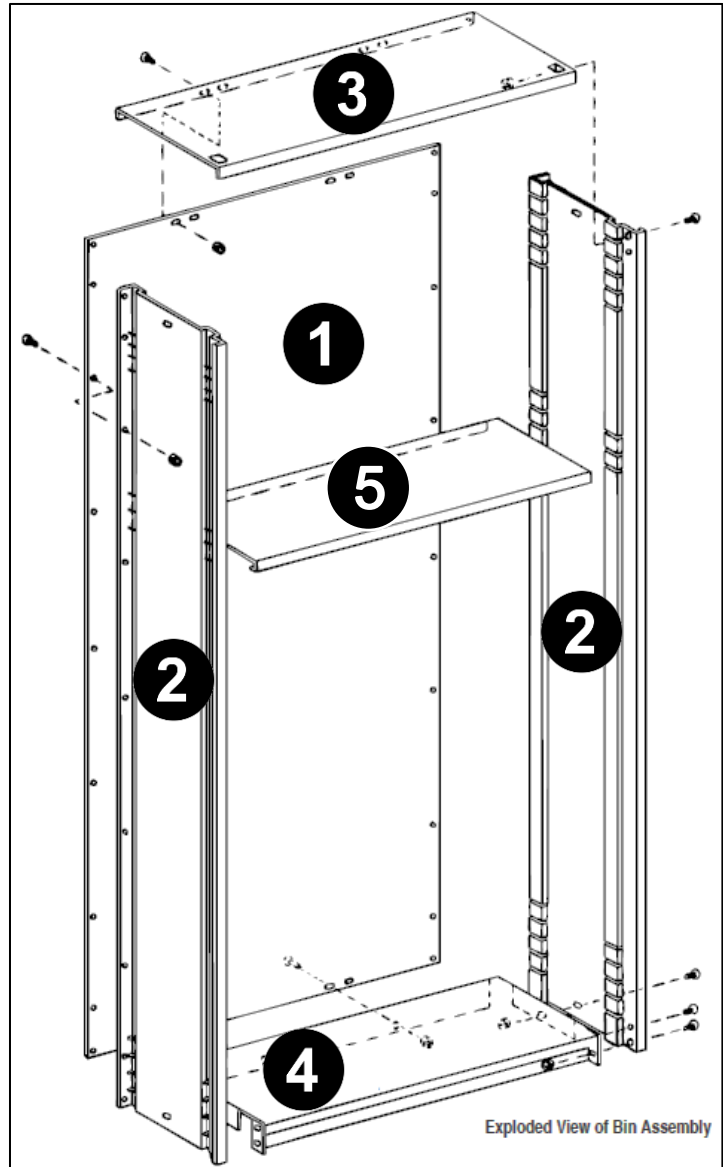
STEPS

- 1** Place bin back on workhorse or divider cartons.
- 2** Attach uprights to back with eight (8) 07784-00 screws and 07732-00 nuts on each side.
- 3** Attach top with four (4) 07784-00 screws and 07732-00 nuts at back and one (1) at each side near front. Tabs fit on outside of upright.
- 4** Attach base with two (2) 07784-00 screws and 07732-00 nuts at back and three (3) on each side.

NOTE: The bin uprights are universal – lefts and rights are same. An extra slot will appear on top of one side and bottom of other side. This is for production purposes only.

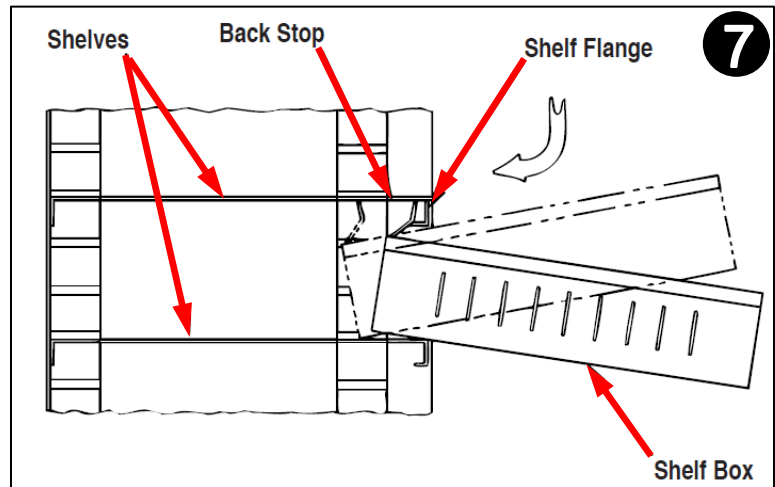
- 5** Slide shelves into slots at desired heights, lifting on front edge of shelf to permit front shelf lances to engage up.

- 6** Hook **DIVIDER** over front flange of shelf and snap down over rear flange. Divider can be moved from side to side.



7 Shelves should be spaced at every third row of slots (4-1/2") for shelf boxes. Install **SHELF BOX** by tipping it so back stop of box can be inserted under shelf flange. Back stop prevents box from accidentally coming out.

8 Label holders can be snapped in place on shelves.





WARRANTY

Borroughs Corporation extends to the original purchaser from the date of purchase a limited lifetime warranty for Borroughs' Automotive Workstations and Modular Drawer Cabinets against manufacturing defects in material and workmanship. For all other products Borroughs extends to the original purchaser from the date of purchase a 5-year limited warranty against manufacturing defects in material and workmanship.

If a Borroughs product fails to perform because of a manufacturing defect, Borroughs will examine it. If found defective, it will be repaired or replaced at our option. This warranty applies only to Borroughs products acquired directly from Borroughs Corporation or from Authorized Borroughs Dealers.

This warranty does not apply to any product which has been subject to misuse, negligence, or accident; has been damaged in shipment, storage, or installation; has been misapplied or has been modified or repaired by unauthorized persons or been repaired with non-standard Borroughs replacement parts. This warranty specifically excludes claims for indirect, incidental, or consequential damages arising in any way from a product defect. This warranty is exclusive, and exists in lieu of all other warranties, either expressed or implied.

This warranty gives you specific legal rights; you may also have other rights which may vary from state to state.

Contact your Borroughs Selling Dealer, to obtain warranty service. You must make a written claim. Provide a copy of your purchase record and a written description of the warranty problem with your claim.

If you are unable to contact your Dealer, contact:
Borroughs Corporation, Customer Service Manager,
3002 N. Burdick St., Kalamazoo, MI 49004-3483.
Phone: 1-800-748-0227